

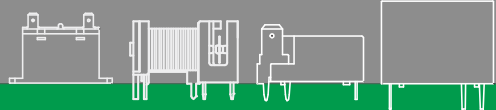
■ FEATURES

- 1 Pole and 2-Poles versions available with high switching current up to 30A.
- Plug-in Terminal with Flanged Case is available for customer's various applications.
- Both AC and DC coil available.
- LED version available.
- Touch Button and LED version available.
- Comply with RoHS and REACH regulations.

■ SPECIFICATIONS

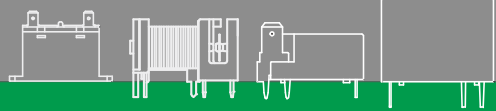
Contact Resistance	Max. 100mΩ at initial value. @1A,6VDC
Contact Capacity	<p>RPT-1P (No Common): 30 Amps at 120VAC Cosφ=1 30 Amps at 240VAC Cosφ=1 10 Amps at 600VAC Cosφ=1 30 Amps at 28VDC L/R=0</p> <p>RPT-2P: 25 Amps at 120VAC Cosφ=1 25 Amps at 240VAC Cosφ=1 5 Amps at 600VAC Cosφ=1 20 Amps at 15VDC L/R=0 13 Amps at 28VDC L/R=0</p> <p>RPT-3P: 20 Amps at 120VAC Cosφ=1 15 Amps at 240VAC Cosφ=1 20 Amps at 15VDC L/R=0 13 Amps at 28VDC L/R=0</p>
Operate Time	15m Sec. Max.
Release Time	10m Sec. Max.
Dielectric Strength	<p>Between coil & Contact: 1500VAC at 50/60Hz for one minute</p> <p>Between Contacts: 1000VAC at 50/60Hz for one minute</p>
Insulation Resistance	100MΩ Min. at 500VDC

HOME APPLICATION RELAY - ETR RPT SERIES

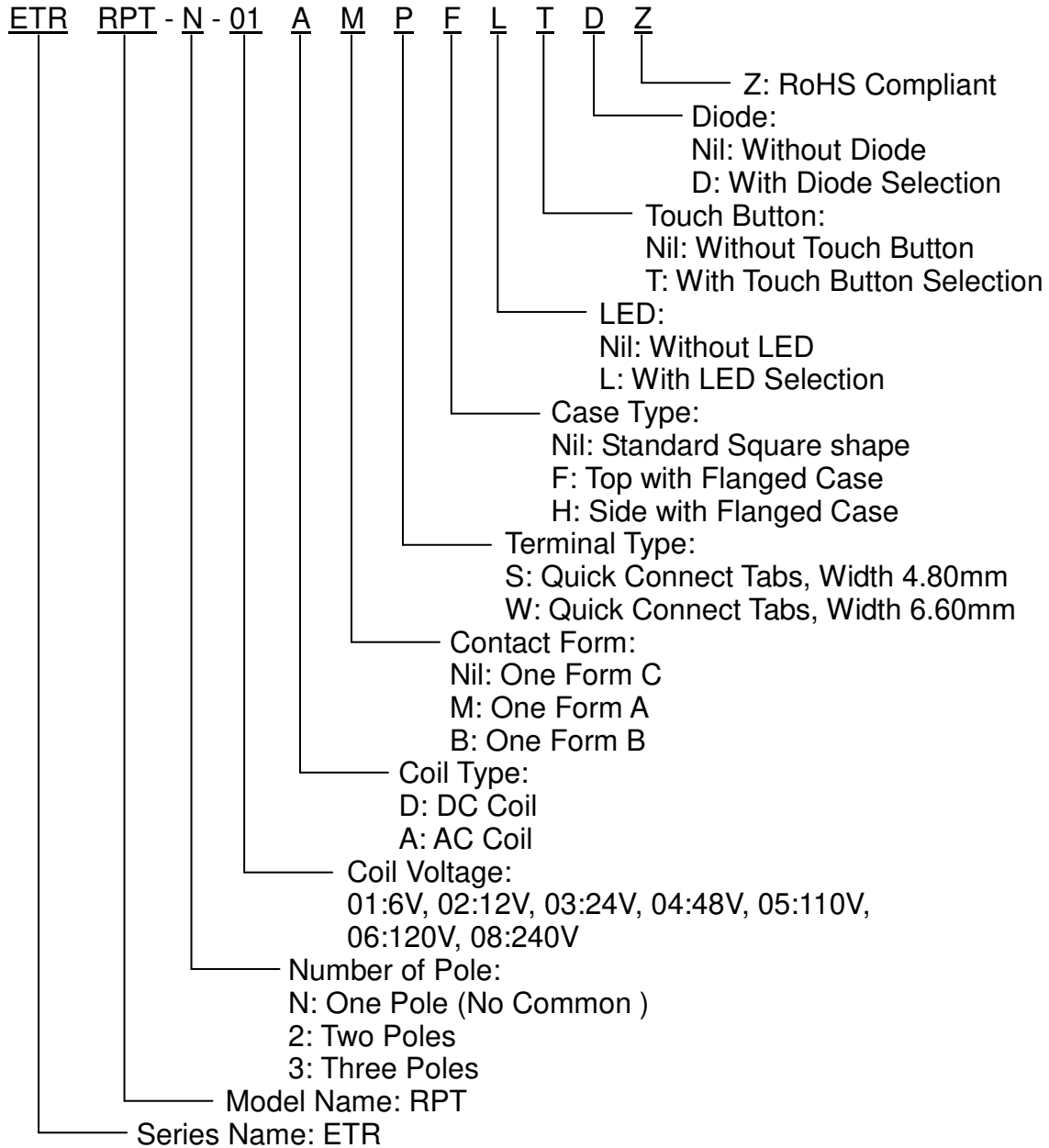


COIL SPECIFICATION AT 20°C

Coil Sensitivity	Coil Voltage Code	Nominal Voltage (VAC/VDC)	Nominal Current (mA)		Coil Resistance ($\Omega \pm 10\%$)	Power Consumption	Pull-In Voltage (VDC)	Drop-Out Voltage (VDC)	Max. Allowable Voltage (VDC)
			50Hz	60Hz					
RPT (VAC) 1P, 2P	01	6	309.1	261.5	4.2	Abt. 2.9~3.5VA	85% Max.	30% Min.	110% Max.
	02	12	200.2	169.4	18				
	03	24	129.7	109.7	72				
	06	120	28.0	24.3	1,700				
	08	240	13.2	11.3	7,200				
RPT (VAC) 3P	01	6	371.4	317.3	3.2	Abt. 3.8~4.6VA	85% Max.	30% Max.	110% Max.
	02	12	253.3	216.4	14				
	03	24	172.8	147.6	55				
	05/06	110/120	37.7	32.0	1,300				
	08	240	16.6	13.9	5,510				
RPT (VDC)	02	12	100.0		120	Abt. 1.2W	80% Max.	10% Max.	110% Max.
	03	24	50.8		472				
	04	48	26.7		1,800				
	05	110	11.0		10,000				
	06	120	12.0		10,000				



PART NUMBER SYSTEM

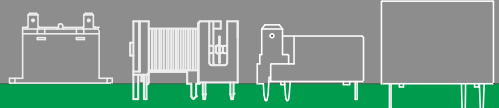


***Marking without: "ETR" & "Z".**

ETR RPT-N02DS

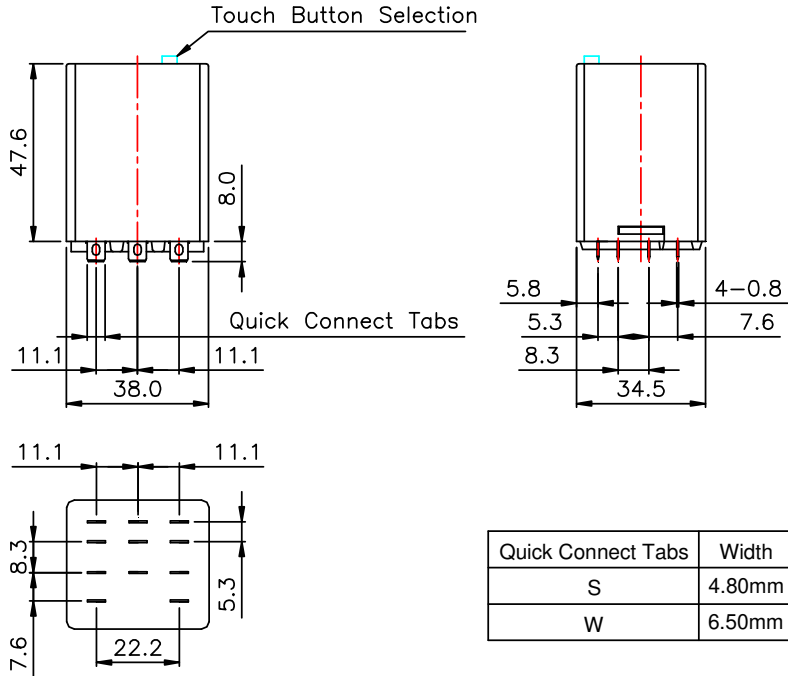


HOME APPLICATION RELAY - ETR RPT SERIES



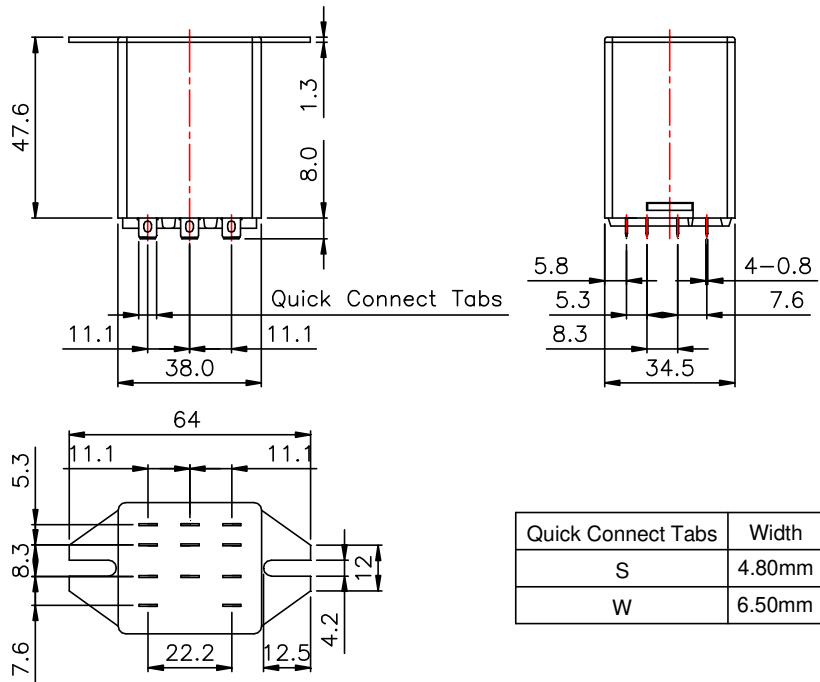
DIMENSIONS ($\leq 5\text{mm} \pm 0.2\text{mm}$, $> 5\text{mm} \pm 0.3\text{mm}$, the tolerance of PCB thru hole: $+0.1\text{mm}$)

ETR RPT



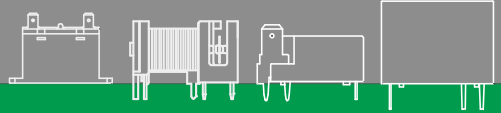
P.C.B LAYOUT

ETR RPT-F

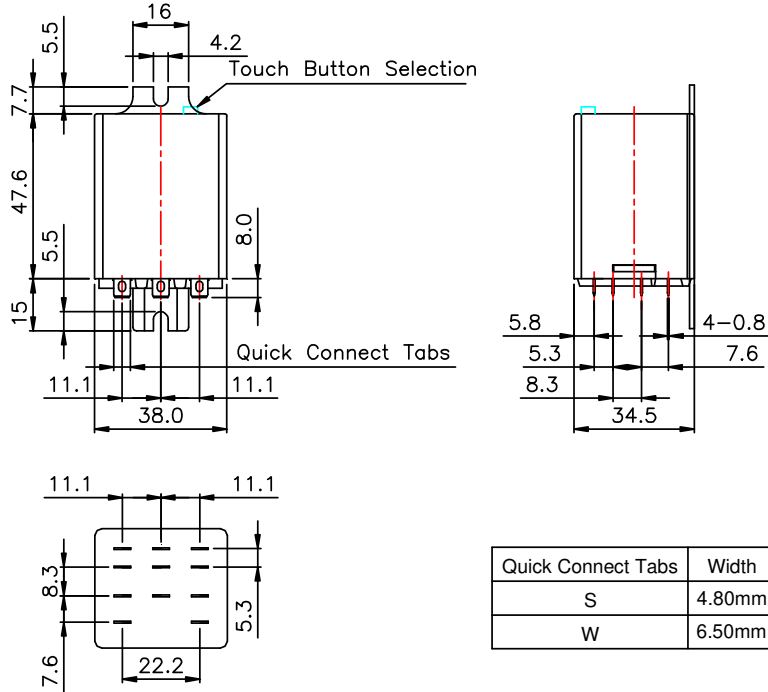


P.C.B LAYOUT

HOME APPLICATION RELAY - ETR RPT SERIES

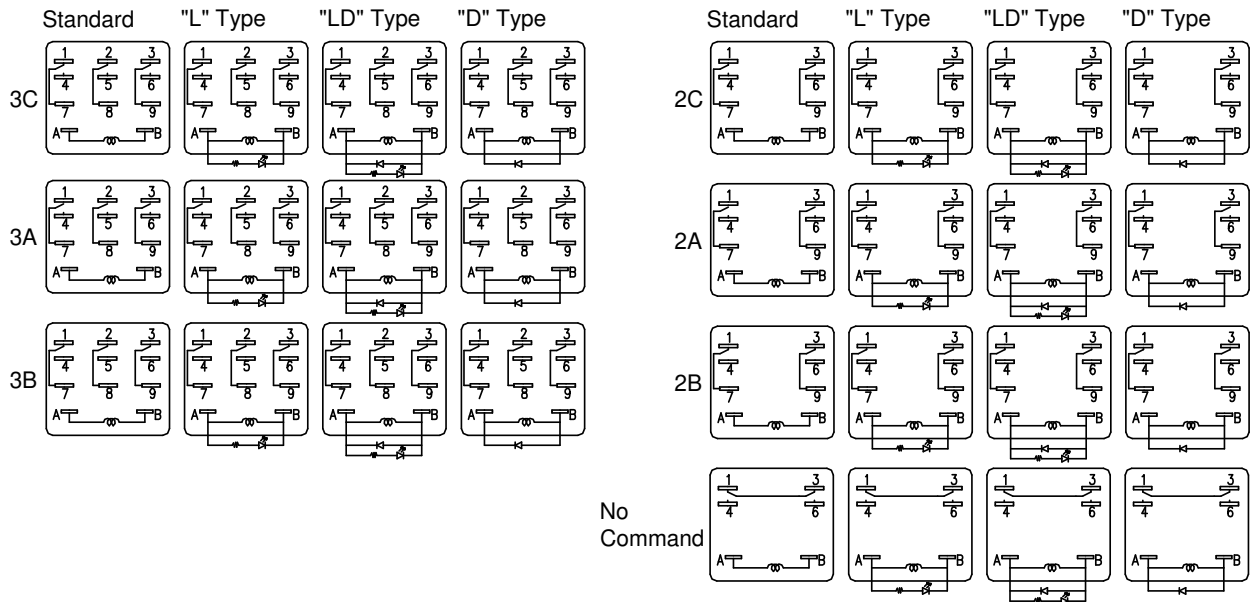


ETR RPT-H



Quick Connect Tabs	Width
S	4.80mm
W	6.50mm

P.C.B LAYOUT



BOTTOM VIEW