

# 10 x10mm Multi-function Switches

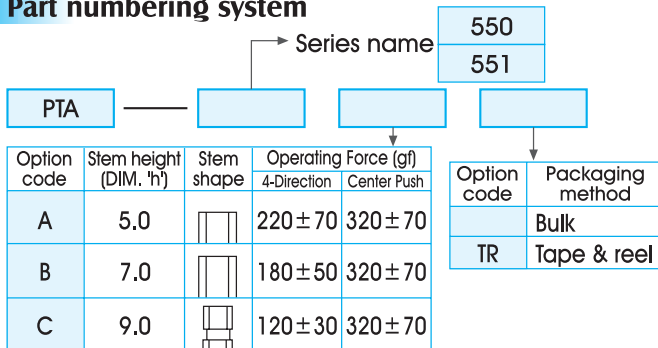
## Features

1. Multi-function
2. Thin type
3. Reflow soldering

## Applications

Digital camera, Digital camcorder, MP3, DVD, PDA, Digital audio

## Part numbering system



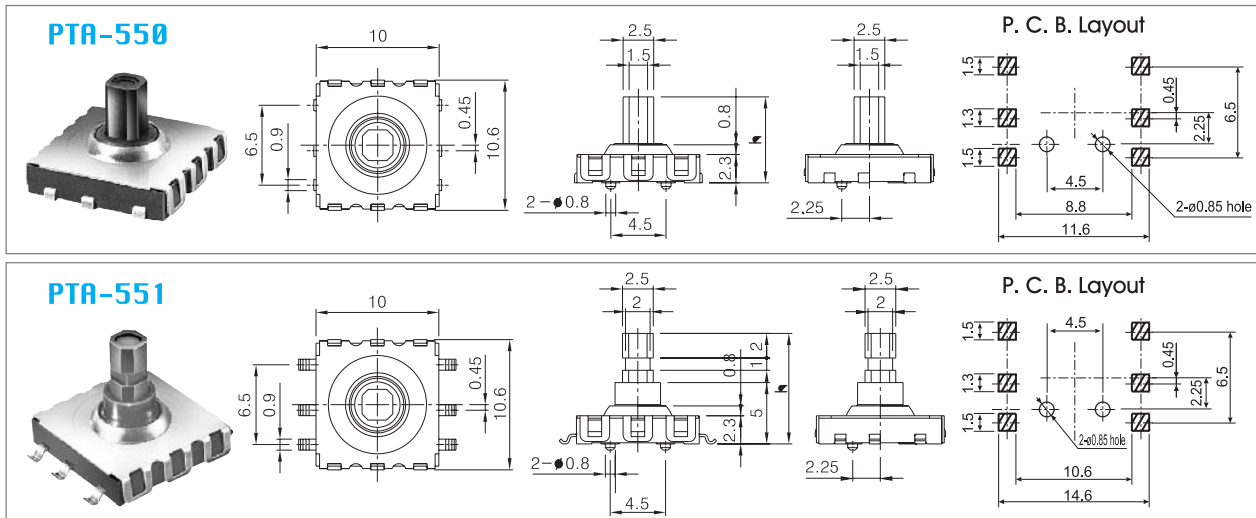
## Specifications

1. Rating: DC12V, 50mA Max.
2. Contact resistance: 100mΩ Max.
3. Life: 100,000 cycles Min.
4. Stroke: Center push: 0.2 ± 0.1 mm
5. Angle: 4° +3° -2°

## Packaging unit

1. Bulk: 500pcs/ bag
2. Reel: PTA-550ATR, PTA-551ATR: 650pcs/ reel  
PTA-550BTR, PTA-551BTR: 550pcs/ reel  
PTA-550CTR, PTA-551CTR: 300pcs/ reel

## Dimensions (unit:mm)

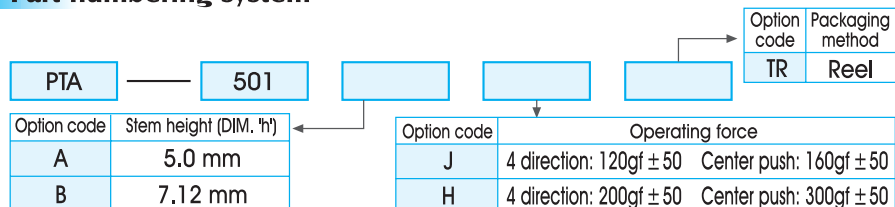


# Small Size Multi-function Switches

## Specification

1. Rating: DC12V, 50mA
2. Contact resistance: 500mΩ Max. initial
3. Life: 200,000 cycles

## Part numbering system



## Packaging unit

Reel: 1,000pcs/ reel

